

# PRODUCTS & APPLICATION

## AN series

[AN series \(/en.php/product/detail?id=48\)](/en.php/product/detail?id=48)

[A series \(/en.php/product/detail?id=49\)](/en.php/product/detail?id=49)

[FA series \(/en.php/product/detail?id=50\)](/en.php/product/detail?id=50)

### AN series

#### SWT/AN series

The structure is simple. Inner thread and end surface are manufactured at the same time so that the Run out can be ensured.

Material: Material: 42CrMo,45#, 40Cr

Hardness: HRC28°—32°

Thread Precision: ISO4H

Run Out: 0.005mm

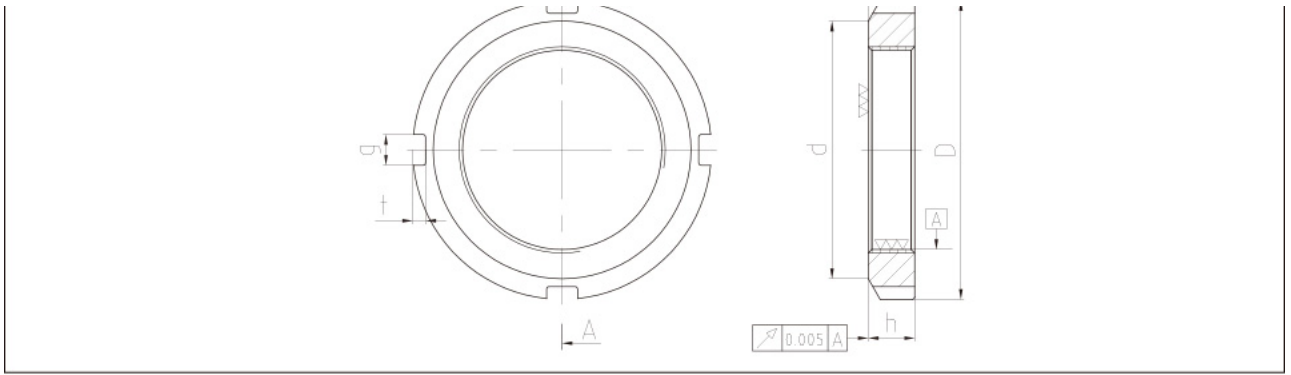
请您留言

Thread	D	h	g	t	d
--------	---	---	---	---	---

AN 0 M10x0.75P	18	4	3	2	13.5
AN 1 M12x1.0P	22	4	3	2	17
AN 2 M15x1.0P	25	5	4	2	21
AN 3 M17x1.0P	28	5	4	2	22
AN 4 M20x1.0P	32	6	4	2	26
AN 5 M25x1.5P	38	7	5	2	32
AN 6 M30x1.5P	45	7	5	2	38
AN 7 M35x1.5P	52	8	5	2	44
AN 8 M40x1.5P	58	9	6	2.5	50
AN 9 M45x1.5P	65	10	6	2.5	56
AN 10 M50x1.5P	70	11	6	2.5	61
AN 11 M55x2.0P	75	11	7	3	67
AN 12 M60x2.0P	80	11	7	3	73
AN 13 M65x2.0P	85	12	7	3	79
AN 14 M70x2.0P	92	12	8	3.5	84
AN 15 M75x2.0P	98	13	8	3.5	90
AN 16 M80x2.0P	105	15	8	3.5	95
AN 17 M85x2.0P	110	16	8	3.5	102
AN 18 M90x2.0P	120	16	10	4	108
AN 19 M95x2.0P	125	17	10	4	113
AN 20 M100x2.0P	130	18	10	4	120
AN 21 M105x2.0P	140	18	12	5	126
AN 22 M110x2.0P	145	19	12	5	133
AN 23 M115x2.0P	150	19	12	5	137

Remark: (1) The above data is just provided for reference, Jiangsu Swift Machinery Technology Co.,Ltd reserves the right to revise it.(2)  
1NM=10.2kgf.cm=0.73lb.ft (3) Non-standard nut can be customized.





Thread	D	h	g	t	d
AN 24 M120x2.0P	155	20	12	5	138
AN 25 M125x2.0P	160	21	12	5	148
AN 26 M130x2.0P	165	21	12	5	149
AN 27 M135x2.0P	175	22	14	6	160
AN 28 M140x2.0P	180	22	14	6	160
AN 29 M145x2.0P	190	24	14	6	172
AN 30 M150x2.0P	195	24	14	6	171
AN 31 M155x2.0P	200	25	16	7	182
AN 32 M160x3.0P	210	25	16	7	182
AN 33 M165x3.0P	210	26	16	7	193
AN 34 M170x3.0P	220	26	16	7	193
AN 36 M180x3.0P	230	27	18	8	203
AN 38 M190x3.0P	240	28	18	8	214
AN 40 M200x3.0P	250	29	18	8	226

Spindle    Lock nut    Bearing block    Wedge block    Rotary table    Hydraulic lock nut    Accessory

A Xuzhuang Park Road, Xingren Town, Tongzhou District, Nantong, Jiangsu, China  
 T +86-513-86222888    F +86-513-85650761

**About Us**

**Product**

**Company Strength**

**Contact Us**

Company Profile  
 (/en.php/about/index)

Product Line  
 (/en.php/product/cate?

Solution  
 (/en.php/tech/solution?

Careers  
 (/en.php/contact/job)

Company History  
 (/en.php/about/history)

id=28)  
 Application Fields

type=1)  
 Technical Innovation

Location  
 (/en.php/contact/index)

Honors and Rewards  
 (/en.php/about/honor)

(/en.php/product/app-list)

(/en.php/tech/innovation)

Our Customer

FAQ  
 (/en.php/tech/qanda)