

PRODUCTS & APPLICATION

N series

[N series \(/en.php/product/detail?id=53\)](#)

[RN series \(/en.php/product/detail?id=54\)](#)

[R series \(/en.php/product/detail?id=55\)](#)

N series

SWT/N series

SWT/N series is locked by applying 4 to 6 high-strength flat screw to support the end surface, with the steel's elasticity, the thread is deformed to be locked. The external dimension is close to and can be interchanged with F-type nut. N-type nut is applicable for installation where the nut is easily loosened and the space is limited. Its locking capacity is larger than F-type nut by more than 2 times.

Material: 42CrMo,45#, 40Cr

Hardness: HRC28°—32°

Thread Precision: ISO4H

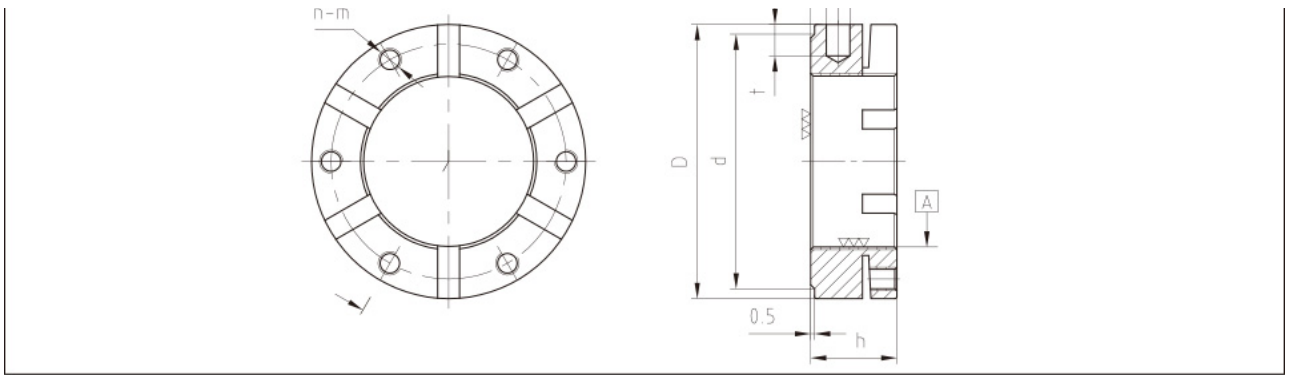
Run Out: 0.005mm

请您留言

Thread	D	h	d	n-m	t	c	b	MAX.Nm
SWT/N M16x1.5	30	18	26	4-M5	5	5.5	4	4.5
SWT/N M17x1.0	32	18	28	4-M5	5	5.5	4	4.5
SWT/N M17x1.5	32	18	28	4-M5	5	5.5	4	4.5
SWT/N M18x1.5	36	18	32	4-M5	6	5.5	4	4.8
SWT/N M20x1.5	38	18	34	4-M6	6	5.5	4	8
SWT/N M22x1.5	40	18	36	4-M6	6	5.5	4	8
SWT/N M24x1.5	45	18	41	4-M6	7	5.5	5	8
SWT/N M25x1.5	45	20	41	4-M6	7	6	5	8
SWT/N M27x1.5	46	20	42	4-M6	7	6	5	8
SWT/N M28x1.5	46	20	42	4-M6	7	6	5	8
SWT/N M30x1.5	52	20	48	4-M6	7	6	5	8
SWT/N M32x1.5	54	22	49	4-M6	7	7	6	8
SWT/N M33x1.5	54	22	49	4-M6	7	7	6	8
SWT/N M35x1.5	58	22	53	4-M6	7	7	6	8
SWT/N M36x1.5	58	22	53	4-M6	7	7	6	8
SWT/N M38x1.5	60	22	55	4-M6	8	7	6	8
SWT/N M39x1.5	60	22	55	4-M6	8	7	6	8
SWT/N M40x1.5	65	22	60	4-M6	8	7	6	8
SWT/N M42x1.5	65	22	60	4-M6	8	7	6	8
SWT/N M45x1.5	70	22	65	6-M6	8	7	6	8
SWT/N M48x1.5	75	25	70	6-M6	8	8	6	8
SWT/N M50x1.5	75	25	70	6-M6	8	8	6	8
SWT/N M52x1.5	80	25	74	6-M8	8	8	6	8
SWT/N M55x1.5	85	25	79	6-M8	8	8	6	18
SWT/N M55x2.0	85	25	79	6-M8	8	8	6	18
SWT/N M56x2.0	85	26	79	6-M8	8	8	6	18
SWT/N M60x2.0	90	26	84	6-M8	10	8	6	18
SWT/N M64x2.0	95	28	89	6-M8	10	8.5	8	18
SWT/N M65x2.0	95	28	89	6-M8	10	8.5	8	18
SWT/N M68x2.0	98	28	91	6-M8	10	8.5	8	18
SWT/N M70x2.0	100	28	93	6-M8	10	9	8	18
SWT/N M75x2.0	106	28	99	6-M10	10	9	8	35
SWT/N M80x2.0	110	30	103	6-M10	10	9.5	8	35
SWT/N M85x2.0	115	32	108	6-M10	10	10	8	35
SWT/N M90x2.0	120	32	112	6-M10	10	10	8	35
SWT/N M95x2.0	125	32	117	6-M10	10	10	8	35
SWT/N M100x2.0	130	32	122	8-M10	10	10	8	35

Remark: (1) The above data is just provided for reference, Jiangsu Swift Machinery Technology Co.,Ltd reserves the right to revise it.(2) 1NM=10.2kgf.cm=0.73lb.ft (3) Non-standard nut can be customized.





Thread	D	h	d	n-m	t	c	b	MAX.Nm
SWT/N M105x2.0	135	32	125	8-M10	10	10	8	35
SWT/N M110x2.0	140	32	130	8-M10	10	10.5	8	35
SWT/N M115x2.0	145	34	135	8-M10	10	10.5	8	35
SWT/N M120x2.0	150	36	140	8-M10	10	11	10	35
SWT/N M125x2.0	160	36	150	8-M10	10	11	10	35
SWT/N M130x2.0	165	36	155	8-M10	10	11	10	35
SWT/N M135x2.0	175	38	163	8-M12	10	12	10	60
SWT/N M140x2.0	180	38	168	8-M12	10	12	10	60
SWT/N M145x2.0	190	38	178	8-M12	10	11.5	10	60
SWT/N M150x2.0	195	38	183	8-M12	10	12	10	60
SWT/N M155x2.0	200	38	186	8-M12	12	11	10	60

Spindle Lock nut Bearing block Wedge block Rotary table Hydraulic lock nut Accessory

A Xuzhuang Park Road, Xingren Town, Tongzhou District, Nantong, Jiangsu, China
 T +86-513-86222888 F +86-513-85650761

About Us

- Company Profile
(/en.php/about/index)
- Company History
(/en.php/about/history)
- Honors and Rewards
(/en.php/about/honor)
- Our Customer

Product

- Product Line
(/en.php/product/cate?id=28)
- Application Fields
(/en.php/product/app-list)

Company Strength

- Solution
(/en.php/tech/solution?type=1)
- Technical Innovation
(/en.php/tech/innovation)
- FAQ
(/en.php/tech/qanda)

Contact Us

- Careers
(/en.php/contact/job)
- Location
(/en.php/contact/index)

